



MILLFORM
AUSTRALIA



PRODUCT RANGE

THE ROLLFORMING SPECIALISTS

ROOFING - WALLING - STRUCTURAL

- Australian owned
- Quality and precision
- Reliable deliveries
- Customer service



About Millform

With the strength of steel, Millform is dedicated to building a better Australia. We provide quality products, ensure efficient delivery standards, and offer proven solutions for commercial, construction, industrial, and government clients.

Millform provides building products and solutions for diverse industry sectors. We specialise in the engineering and manufacture of quality cold rolled steel products. As an Australian owned and operated company with more than 50 years of experience, we lead from the front with all aspects of product quality, customer support, and efficient delivery. At Millform, we deliver outstanding results through a combination of tailored service delivery and professional attention to detail.

We look forward to meeting your requirements, exceeding your expectations, and helping to make your business more successful.



MILLFORM SYDNEY OFFICE & MANUFACTURING FACILITY



MILLFORM ALBURY OFFICE & MANUFACTURING FACILITY



QUALITY

The quality of our products is the backbone of our business. We invest in the best people and equipment, utilise advanced techniques, and have access to high-quality materials.



AUSTRALIAN BUSINESS

We understand market conditions and respect customer demands. As a large Australian business with local representation, we have the drive and capability to tailor our service delivery.



CUSTOMER SUPPORT

Our customer support is second to none. We believe in clear communication, honest advice, and detailed customer service delivered by a friendly team of experts.



DELIVERY CONTROL

With a combination of our own fleet and trusted contractors, we control the delivery process. As an established Australian business, you can rely on efficient delivery and reliable protection.

CONTENTS

PAGE

Magna-Shield Pro™ Ultimate Corrosion Protection	4
TopForm™ Top-Hat Purlins	6
FormBatten™ Battens	7
CladForm™ Junction Studs	8
Facade System	10
Trim Angles	11
Archetype Purlin™ C-Section Purlins	12
Archetype Purlin™ Z-Section Purlins	14
Archetype Purlin™ C-Section Down-Turn Lip	16
Archetype Purlin™ Z-Section Down-Turn Lip	18
Extreme Purlin™ C-Section Purlins	20
Extreme Purlin™ Z-Section Purlins	21
Brackets	22
Channels	23
HookFast® Purlin Bridging	25
MillFrame™ Steel Framing	26
CorroForm™ Corrugated Sheet Metal	30
RibForm™ Corrugated Sheet Metal	31

FOR NON-STANDARD PROFILES – CONTACT OUR SALES TEAM

T: 1300 645 376 E: enquiries@millform.com.au



Where strength matters



With the strength of steel, Millform is dedicated to building a better Australia. We provide quality products, ensure efficient delivery standards, and offer proven solutions for commercial, construction, industrial, and government clients.

You can find other Millform items on our website.

www.millform.com.au



MAGNA-SHIELD PRO











ULTIMATE CORROSION PROTECTION

ADVANCED COATED STEEL FOR CORROSIVE ENVIRONMENTS

The MAGNA-SHIELD PRO™ coated steel advantage

MAGNA-SHIELD PRO™ is a superior steel coating layer combining zinc, aluminium, and magnesium with outstanding results. It offers incredible corrosion resistance, impressive scratch resistance, among other benefits. At Millform Australia®, we manufacture products from MAGNA-SHIELD PRO™ coated steel for harsh environments.

This technologically advanced hot-dip coating provides superior protection and new installation possibilities in a range of corrosive settings. It replaces the need for post-galvanising, lowering material costs and reducing project lead times across the board.

SALT SPRAY TEST		1600hrs	2200hrs	2600hrs	3400hrs	4000hrs
Galvanised 350						
MAGNA-SHIELD PRO™ ZM350						

UNIQUE COATING LAYER OF ZINC, 5% ALUMINIUM AND 3% MAGNESIUM

MAGNA-SHIELD PRO™s ZM350 coating meets the requirements for the Type ZM Coating Class under the AS 1397:2021 specification: *Continuous hot-dip metallic coated steel sheet and strip — Coatings of zinc and zinc alloyed with aluminium and magnesium.*

MAGNA-SHIELD PRO™ is the ideal product for industrial, construction, commercial, and government applications. With unmatched strength, integrity, and corrosion resistance, it's suitable for demanding Australian conditions.



Agricultural facilities



Horticultural facilities



Coastal facilities



Aquatic facilities

CORROSION PROTECTION WITHOUT COMPROMISE

MAGNA-SHIELD PRO™ coated steel is ideal for challenging corrosive environments. It offers much greater protection than a zinc galvanised steel sheet, and it can be used with confidence in a range of extreme conditions.

With a bright, uniform appearance that ages to a satin metallic sheen, **MAGNA-SHIELD PRO™** delivers protection without compromise.

- ◊ Superior corrosion resistance
- ◊ Excellent results without post-galvanising
- ◊ Compatible with concrete
- ◊ Attractive satin matt finish



Suitable for a wide array of structural products

MAGNA-SHIELD PRO™ coated steel is the ideal solution for the following structural products:

- C and Z section purlins and accessories
- Downturn lip purlins
- Lapped downturn lip purlins
- Bridging

New installation possibilities

MAGNA-SHIELD PRO™ offers superior corrosion resistance, helping to unlock new installation possibilities. This material is suitable when structural sections are subjected to severe or corrosive environmental or operating conditions.

- Marinas and boat sheds
- Aquatic facilities
- Agricultural and horticultural facilities
- Industrial environments
- Petroleum refineries
- Environmental and composite laboratories
- Coastal spray

Extended lifespan

MAGNA-SHIELD PRO™ coated steel has a longer lifecycle than comparable products. It has been designed for durability and longevity, with a higher level of corrosion resistance and smaller coating weight than traditional steel products. With numerous benefits and superior results, **MAGNA-SHIELD PRO™** can replace stainless steel and aluminium in many applications.

At Millform Australia®, we have created a Statement of Durability complete with coating and steel specifications, along with a detailed Performance Statement. **MAGNA-SHIELD PRO™** has at least three times the lifespan of galvanised steel for similar applications and coating thicknesses.

We provide unmatched strength in steel engineering and manufacturing. We deliver proven building solutions across industry sectors, powered by **MAGNA-SHIELD PRO™** and other high-quality products.





Top-Hat Purlin

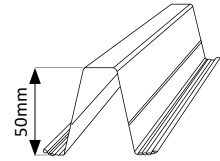
50mm Top-Hat

50 mm TOP HAT - 0.75 BMT: **50TH0.75** (1.09kg/m)

50 mm TOP HAT - 0.95 BMT: **50TH0.95** (1.37kg/m)

50 mm TOP HAT - 1.15 BMT: **50TH1.15** (1.63kg/m)

Standard Pack: 100 Lengths



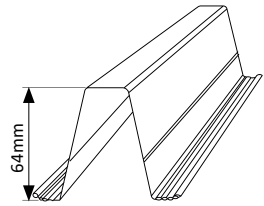
64mm Top-Hat

64 mm TOP HAT - 0.75 BMT: **64TH0.75** (1.26kg/m)

64 mm TOP HAT - 0.95 BMT: **64TH0.95** (1.58kg/m)

64 mm TOP HAT - 1.15 BMT: **64TH1.15** (1.91kg/m)

Standard Pack: 100 Lengths



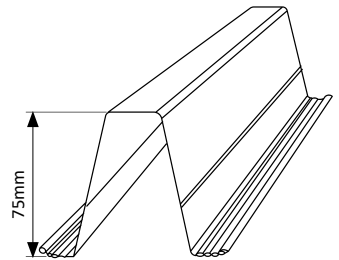
75mm Top-Hat

75 mm TOP HAT - 0.75 BMT: **75TH0.75** (1.41kg/m)

75 mm TOP HAT - 0.95 BMT: **75TH0.95** (1.77kg/m)

75 mm TOP HAT - 1.15 BMT: **75TH1.15** (2.14kg/m)

Standard Pack: 100 Lengths



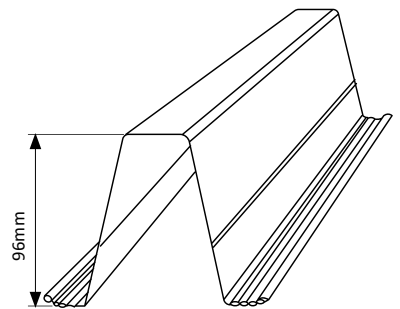
96mm Top-Hat

96 mm TOP HAT - 0.75 BMT: **96TH0.75** (1.74kg/m)

96 mm TOP HAT - 0.95 BMT: **96TH0.95** (2.19kg/m)

96 mm TOP HAT - 1.15 BMT: **96TH1.15** (2.65kg/m)

Standard Pack: 100 Lengths



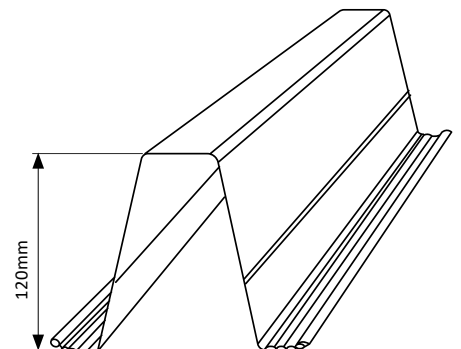
120mm Top-Hat

120 mm TOP HAT - 0.75 BMT: **120TH0.75** (2.17kg/m)

120 mm TOP HAT - 0.95 BMT: **120TH0.95** (2.73kg/m)

120 mm TOP HAT - 1.15 BMT: **120TH1.15** (3.30kg/m)

Standard Pack: 100 Lengths



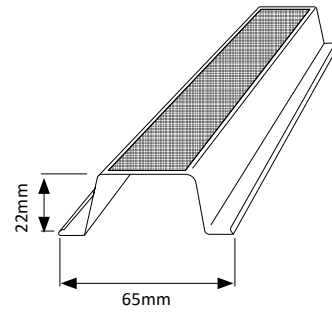
Battens

22mm Ceiling Batten

22 mm CEILING BATTEN - 0.42 BMT - ALUZINC: **22CB0.42Z** (0.36kg/m)

22 mm CEILING BATTEN - 0.75 BMT - ALUZINC: **22CB0.75Z** (0.63kg/m)

Standard Pack: 200 Lengths x 6.100M

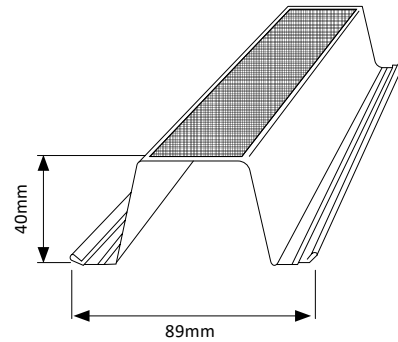


40mm Roof Batten*

40 mm ROOF BATTEN - 0.48 BMT - ALUZINC: **40RB0.48Z** (0.66kg/m)

40 mm ROOF BATTEN - 0.55 BMT - ALUZINC: **40RB0.55Z** (0.75kg/m)

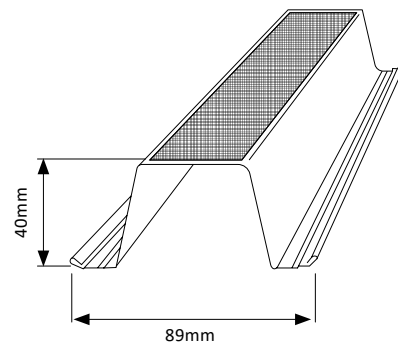
Standard Pack: 150 Lengths x 6.100M, 7.500M



40mm Cyclonic Roof Batten*

40 mm ROOF BATTEN - 0.75 BMT - ALUZINC: **40RB0.75Z** (1.02kg/m)

Standard Pack: 100 Lengths x 6.100M, 7.500M



NOTE*: Standard Roof Battens are ANGLE CUT, SQUARE CUT ends need to be requested.

Where strength matters



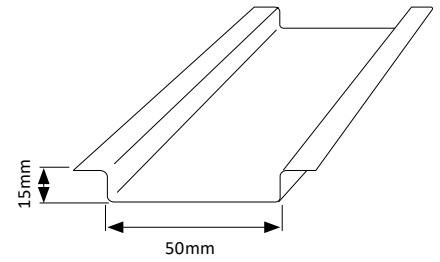
Junction Stud

50 x 15 Junction Stud

JUNCTION STUD - 50 X 15 X 0.75 BMT: **JS50150.75** (0.59kg/m)

JUNCTION STUD - 50 X 15 X 1.15 BMT: **JS5015** (0.94kg/m)

Standard Pack: 100 Lengths x 6M

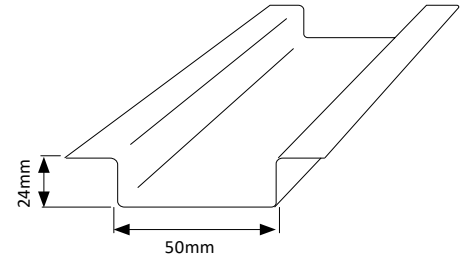


50 x 24 Junction Stud

JUNCTION STUD - 50 X 24 X 0.75 BMT: **JS50240.75** (0.80kg/m)

JUNCTION STUD - 50 X 24 X 1.15 BMT: **JS5024** (1.20kg/m)

Standard Pack: 100 Lengths x 6M

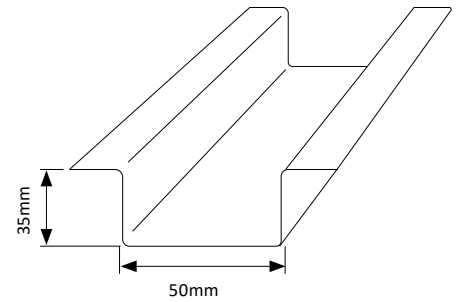


50 x 35 Junction Stud

JUNCTION STUD - 50 X 35 X 0.75 BMT: **JS50350.75** (0.91kg/m)

JUNCTION STUD - 50 X 35 X 1.15 BMT: **JS5035** (1.41kg/m)

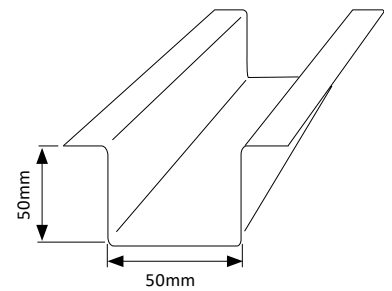
Standard Pack: 50 Lengths x 6M



50 x 50 Junction Stud

JUNCTION STUD - 50 X 50 X 1.15 BMT: **JS5050** (1.66kg/m)

Standard Pack: 50 Lengths x 6M

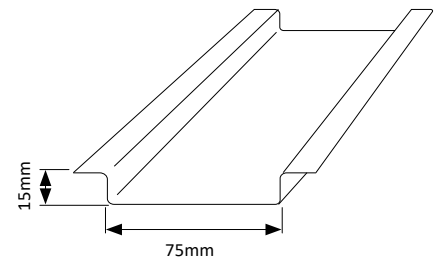


75 x 15 Junction Stud

JUNCTION STUD - 75 X 15 X 0.75 BMT: **JS75150.75** (0.80kg/m)

JUNCTION STUD - 75 X 15 X 1.15 BMT: **JS7515** (1.20kg/m)

Standard Pack: 100 Lengths x 6M



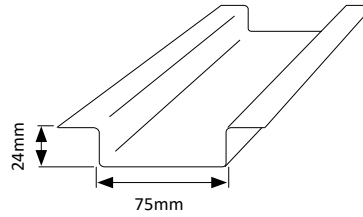
Junction Stud

75 x 24 Junction Stud

JUNCTION STUD - 75 X 24 X 0.75 BMT: **JS75240.75** (0.91kg/m)

JUNCTION STUD - 75 X 24 X 1.15 BMT: **JS7524** (1.41kg/m)

Standard Pack: 100 Lengths x 6M

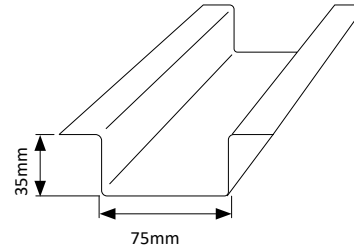


75 x 35 Junction Stud

JUNCTION STUD - 75 X 35 X 0.75 BMT: **JS75350.75** (1.09kg/m)

JUNCTION STUD - 75 X 35 X 1.15 BMT: **JS7535** (1.66kg/m)

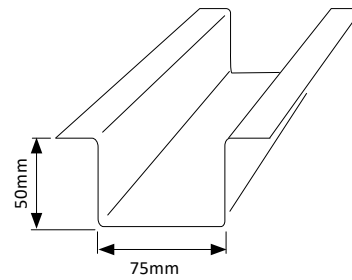
Standard Pack: 50 Lengths x 6M



75 x 50 Junction Stud

JUNCTION STUD - 75 X 50 X 1.15 BMT: **JS7550** (1.94kg/m)

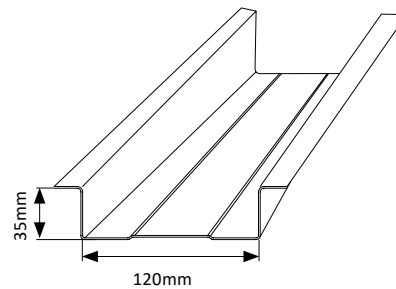
Standard Pack: 50 Lengths x 6M



120 x 35 Junction Stud

JUNCTION STUD - 120 X 35 X 1.15 BMT: **JS12035** (2.01kg/m)

Standard Pack: 50 Lengths x 6M





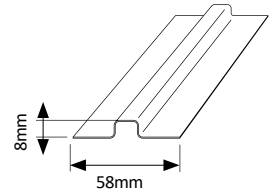
Facade System

8.0mm Back Flashing

8.0mm X 0.48 BMT BACK FLASHING (BLACK): **8.0MMB-FLA** (0.27kg/m)

Standard Pack: 500 Lengths (Full packs only)

Standard Lengths: 1.190, 2.390, 2.990

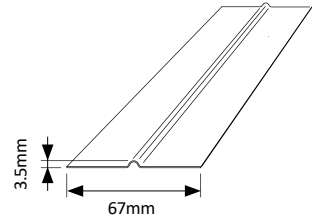


3.5mm Back Flashing

3.5mm X 0.48 BMT BACK FLASHING (BLACK): **3.5MMB-FLA** (0.28kg/m)

Standard Pack: 500 Lengths (Full packs only)

Standard Lengths: 1.190, 2.390, 2.990

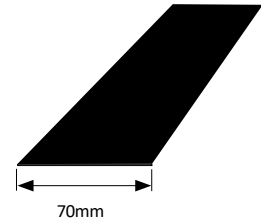


Black Flat Strip

70mm x 0.48 BMT FLAT STRIP (BLACK): **PP_BLK.SH0.48 X 69.5** (0.28kg/m)

Standard Pack: 500 Lengths (Full packs only)

Standard Lengths: 3.0m



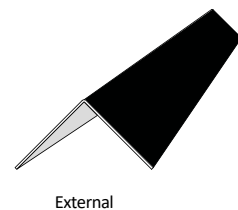
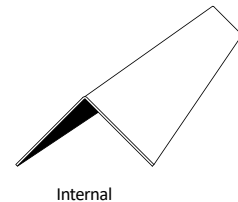
0.48 BMT Angles - Internal and External

TRIM ANGLE - 50 X 50 X 0.48 BMT: **TA50500.48** (0.35kg/m)

TRIM ANGLE - 75 X 75 X 0.48 BMT: **TA75750.48** (0.53kg/m)

TRIM ANGLE - 100 X 100 X 0.48 BMT: **TA1001000.48** (0.72kg/m)

Standard Pack: 200 Lengths



Trim Angles

0.75 BMT Angle

TRIM ANGLE - 30 X 30 X 0.75 BMT: **TA30300.75** (0.35kg/m)

TRIM ANGLE - 35 X 35 X 0.75 BMT: **TA35350.75** (0.42kg/m)

TRIM ANGLE - 40 X 40 X 0.75 BMT: **TA40400.75** (0.48kg/m)

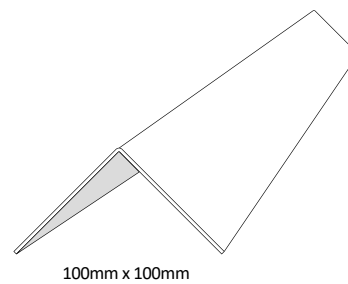
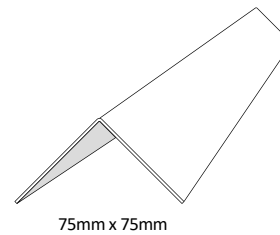
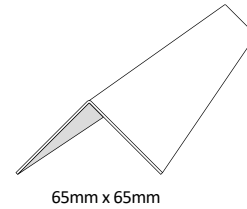
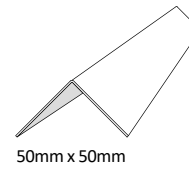
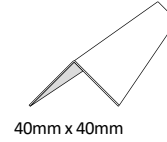
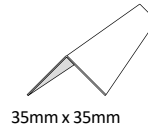
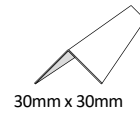
TRIM ANGLE - 50 X 50 X 0.75 BMT: **TA50500.75** (0.59kg/m)

TRIM ANGLE - 65 X 65 X 0.75 BMT: **TA65650.75** (0.80kg/m)

TRIM ANGLE - 75 X 75 X 0.75 BMT: **TA75750.75** (0.91kg/m)

TRIM ANGLE - 100 X 100 X 0.75 BMT: **TA1001000.75** (1.71kg/m)

Standard Pack: 200 Lengths



1.15 BMT Angle

TRIM ANGLE - 30 X 30 X 1.15 BMT: **TA30301.15** (0.53kg/m)

TRIM ANGLE - 40 X 40 X 1.15 BMT: **TA40401.15** (0.72kg/m)

TRIM ANGLE - 50 X 50 X 1.15 BMT: **TA50501.15** (0.90kg/m)

TRIM ANGLE - 65 X 65 X 1.15 BMT: **TA65651.15** (1.21kg/m)

TRIM ANGLE - 75 X 75 X 1.15 BMT: **TA75751.15** (1.38kg/m)

TRIM ANGLE - 100 X 100 X 1.15 BMT: **TA1001001.15** (1.82kg/m)

Standard Pack: 200 Lengths

2.40 BMT Angle

TRIM ANGLE - 30 X 30 X 2.40 BMT: **TA30302.40** (1.10kg/m)

TRIM ANGLE - 40 X 40 X 2.40 BMT: **TA40402.40** (1.48kg/m)

TRIM ANGLE - 50 X 50 X 2.40 BMT: **TA50502.40** (1.86kg/m)

TRIM ANGLE - 65 X 65 X 2.40 BMT: **TA65652.40** (2.43kg/m)

TRIM ANGLE - 75 X 75 X 2.40 BMT: **TA75752.40** (2.81kg/m)

TRIM ANGLE - 100 X 100 X 2.40 BMT: **TA1001002.40** (3.76kg/m)

Standard Pack: 200 Lengths



C – Section Archetype Purlin

C75 Purlin

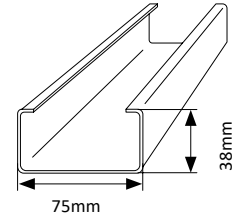
PURLIN - C75 X 0.75 BMT: **C750.75** (1.02kg/m)

PURLIN - C75 X 0.95 BMT: **C750.95** (1.28kg/m)

PURLIN - C75 X 1.20 BMT: **C7512** (1.61kg/m)

PURLIN - C75 X 1.50 BMT: **C7515** (2.00kg/m)

Standard Pack: 50 Lengths



C100 Purlin

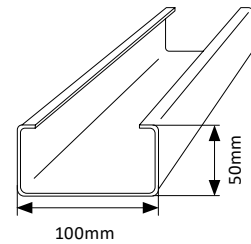
PURLIN - C100 X 1.00 BMT: **C10010** (1.64kg/m)

PURLIN - C100 X 1.20 BMT: **C10012** (2.06kg/m)

PURLIN - C100 X 1.50 BMT: **C10015** (2.57kg/m)

PURLIN - C100 X 1.90 BMT: **C10019** (3.24kg/m)

Standard Pack: 50 Lengths



C150 Purlin

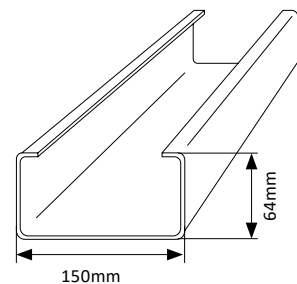
PURLIN - C150 X 1.20 BMT: **C15012** (2.83kg/m)

PURLIN - C150 X 1.50 BMT: **C15015** (3.52kg/m)

PURLIN - C150 X 1.90 BMT: **C15019** (4.45kg/m)

PURLIN - C150 X 2.40 BMT: **C15024** (5.60kg/m)

Standard Pack: 50 Lengths



C – Section Archetype Purlin

C200 Purlin

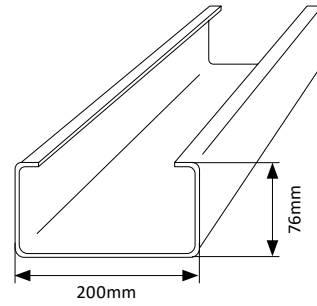
PURLIN - C200 X 1.20 BMT: **C20012** (3.59kg/m)

PURLIN - C200 X 1.50 BMT: **C20015** (4.47kg/m)

PURLIN - C200 X 1.90 BMT: **C20019** (5.65kg/m)

PURLIN - C200 X 2.40 BMT: **C20024** (7.12kg/m)

Standard Pack: 50 Lengths



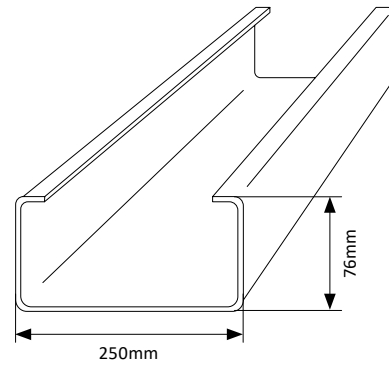
C250 Purlin

PURLIN - C250 X 1.50 BMT: **C25015** (5.07kg/m)

PURLIN - C250 X 1.90 BMT: **C25019** (6.41kg/m)

PURLIN - C250 X 2.40 BMT: **C25024** (8.07kg/m)

Standard Pack: 40 Lengths



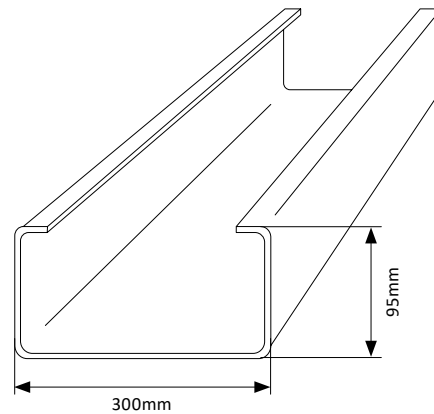
C300 Purlin

PURLIN - C300 X 1.90 BMT: **C30019** (7.91kg/m)

PURLIN - C300 X 2.40 BMT: **C30024** (9.97kg/m)

PURLIN - C300 X 3.00 BMT: **C30030** (12.51kg/m)

Standard Pack: 24 Lengths



Z – Section Archetype Purlin

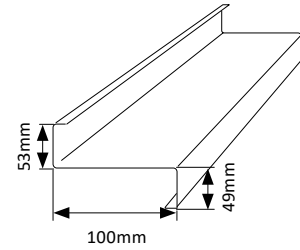
Z100 Purlin

Z PURLIN - 100 X 1.20 BMT: **Z10012** (2.06kg/m)

Z PURLIN - 100 X 1.50 BMT: **Z10015** (2.57kg/m)

Z PURLIN - 100 X 1.90 BMT: **Z10019** (3.24kg/m)

Standard Pack: 40 Lengths



Z150 Purlin

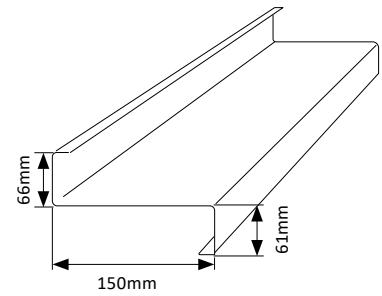
Z PURLIN - 150 X 1.20 BMT: **Z15012** (2.83kg/m)

Z PURLIN - 150 X 1.50 BMT: **Z15015** (3.52kg/m)

Z PURLIN - 150 X 1.90 BMT: **Z15019** (4.45kg/m)

Z PURLIN - 150 X 2.40 BMT: **Z15024** (5.60kg/m)

Standard Pack: 20 Lengths



Z200 Purlin

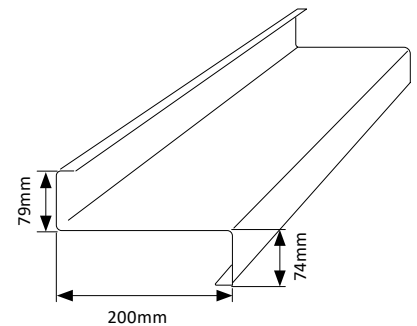
Z PURLIN - 200 X 1.20 BMT: **Z20012** (3.59kg/m)

Z PURLIN - 200 X 1.50 BMT: **Z20015** (4.47kg/m)

Z PURLIN - 200 X 1.90 BMT: **Z20019** (5.65kg/m)

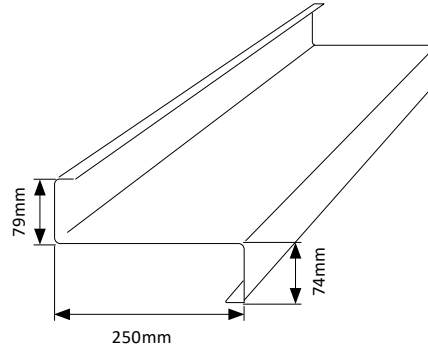
Z PURLIN - 200 X 2.40 BMT: **Z20024** (7.12kg/m)

Standard Pack: 20 Lengths

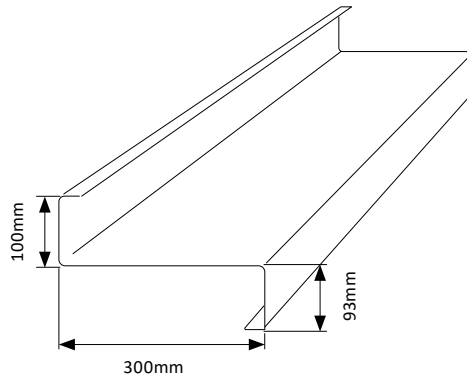


Z – Section Archetype Purlin

Z250 Purlin
Z PURLIN - 250 X 1.50 BMT: Z25015 (5.07kg/m)
Z PURLIN - 250 X 1.90 BMT: Z25019 (6.41kg/m)
Z PURLIN - 250 X 2.40 BMT: Z25024 (8.07kg/m)
Standard Pack: 20 Lengths



Z300 Purlin
Z PURLIN - 300 X 1.90 BMT: Z30019 (7.91kg/m)
Z PURLIN - 300 X 2.40 BMT: Z30024 (9.97kg/m)
Z PURLIN - 300 X 3.00 BMT: Z30030 (12.51kg/m)
Standard Pack: 20 Lengths



C- Section Down-Turn Lip Purlin

DTLC100 Purlin

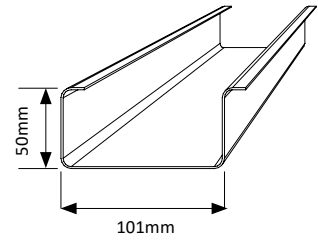
PURLIN - DTLC100 X 1.00 BMT: **DTLC10010** (1.64kg/m)

PURLIN - DTLC100 X 1.20 BMT: **DTLC10012** (2.06kg/m)

PURLIN - DTLC100 X 1.50 BMT: **DTLC10015** (2.57kg/m)

PURLIN - DTLC100 X 1.90 BMT: **DTLC10019** (3.24kg/m)

Standard Pack: 50 Lengths



DTLC150 Purlin

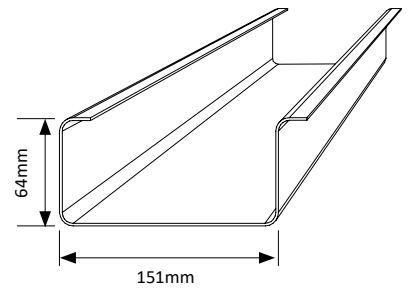
PURLIN - DTLC150 X 1.20 BMT: **DTLC15012** (2.83kg/m)

PURLIN - DTLC150 X 1.50 BMT: **DTLC15015** (3.52kg/m)

PURLIN - DTLC150 X 1.90 BMT: **DTLC15019** (4.45kg/m)

PURLIN - DTLC150 X 2.40 BMT: **DTLC15024** (5.60kg/m)

Standard Pack: 50 Lengths



DTLC200 Purlin

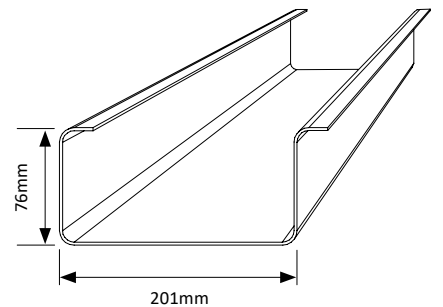
PURLIN - DTLC200 X 1.20 BMT: **DTLC20012** (3.59kg/m)

PURLIN - DTLC200 X 1.50 BMT: **DTLC20015** (4.47kg/m)

PURLIN - DTLC200 X 1.90 BMT: **DTLC20019** (5.65kg/m)

PURLIN - DTLC200 X 2.40 BMT: **DTLC20024** (7.12kg/m)

Standard Pack: 50 Lengths



C- Section Down-Turn Lip Purlin

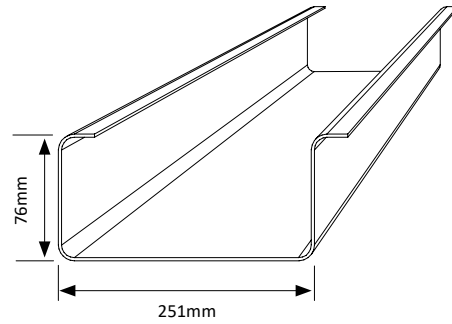
DTLC250 Purlin

PURLIN - DTLC250 X 1.50 BMT: **DTLC25015** (5.07kg/m)

PURLIN - DTLC250 X 1.90 BMT: **DTLC25019** (6.41kg/m)

PURLIN - DTLC250 X 2.40 BMT: **DTLC25024** (8.07kg/m)

Standard Pack: 40 Lengths



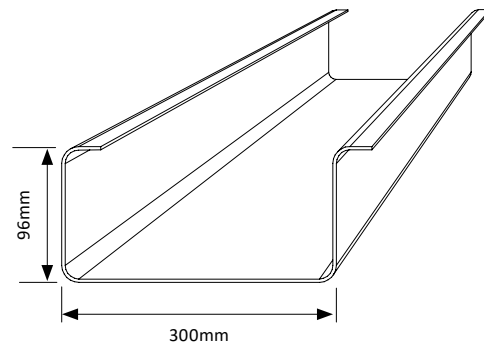
DTLC300 Purlin

PURLIN - DTLC300 X 1.90 BMT: **DTLC30019** (7.91kg/m)

PURLIN - DTLC300 X 2.40 BMT: **DTLC30024** (9.97kg/m)

PURLIN - DTLC300 X 3.00 BMT: **DTLC30030** (12.51kg/m)

Standard Pack: 24 Lengths



Z- Section Down-Turn Lip Purlin

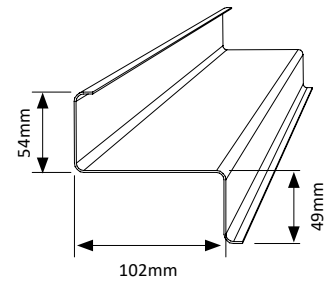
DTLZ100 Purlin

Z PURLIN - 100 X 1.20 BMT: **DTLZ10012** (2.06kg/m)

Z PURLIN - 100 X 1.50 BMT: **DTLZ10015** (2.57kg/m)

Z PURLIN - 100 X 1.90 BMT: **DTLZ10019** (3.24kg/m)

Standard Pack: 40 Lengths



DTLZ150 Purlin

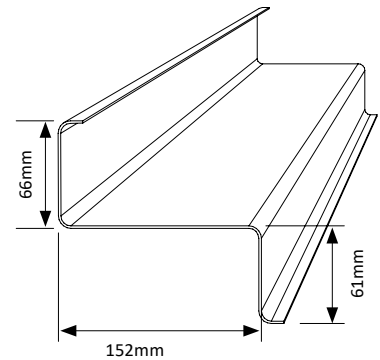
Z PURLIN - 150 X 1.20 BMT: **DTLZ15012** (2.83kg/m)

Z PURLIN - 150 X 1.50 BMT: **DTLZ15015** (3.52kg/m)

Z PURLIN - 150 X 1.90 BMT: **DTLZ15019** (4.45kg/m)

Z PURLIN - 150 X 2.40 BMT: **DTLZ15024** (5.60kg/m)

Standard Pack: 20 Lengths



DTLZ200 Purlin

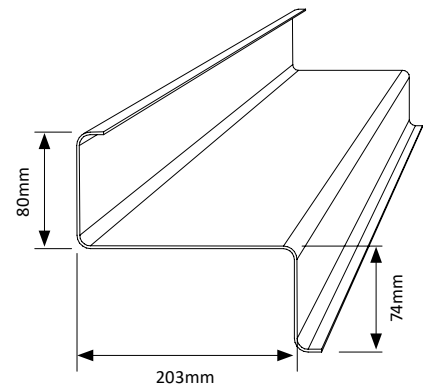
Z PURLIN - 200 X 1.20 BMT: **DTLZ20012** (3.59kg/m)

Z PURLIN - 200 X 1.50 BMT: **DTLZ20015** (4.47kg/m)

Z PURLIN - 200 X 1.90 BMT: **DTLZ20019** (5.65kg/m)

Z PURLIN - 200 X 2.40 BMT: **DTLZ20024** (7.12kg/m)

Standard Pack: 20 Lengths



Z- Section Down-Turn Lip Purlin

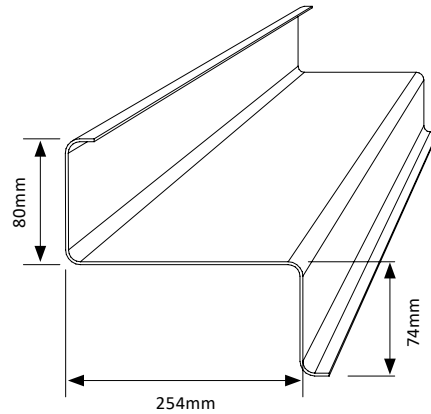
DTLZ250 Purlin

Z PURLIN - 250 X 1.50 BMT: **DTLZ25015** (5.07kg/m)

Z PURLIN - 250 X 1.90 BMT: **DTLZ25019** (6.41kg/m)

Z PURLIN - 250 X 2.40 BMT: **DTLZ25024** (8.07kg/m)

Standard Pack: 20 Lengths



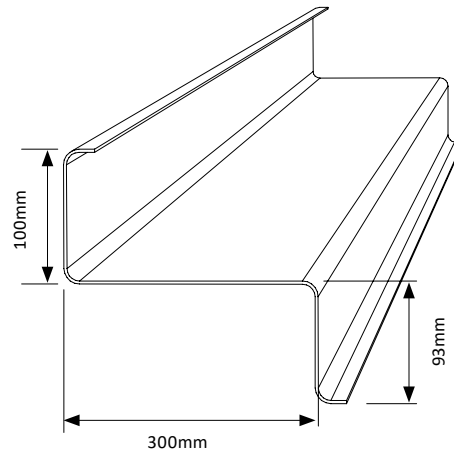
DTLZ300 Purlin

Z PURLIN - 300 X 1.90 BMT: **DTLZ30019** (7.91kg/m)

Z PURLIN - 300 X 2.40 BMT: **DTLZ30024** (9.97kg/m)

Z PURLIN - 300 X 3.00 BMT: **DTLZ30030** (12.51kg/m)

Standard Pack: 20 Lengths



C – Section Extreme Purlin

C150 Purlin

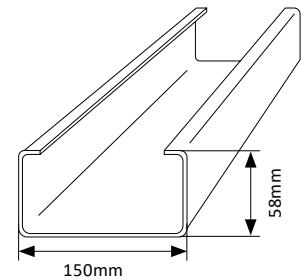
PURLIN - EX_C150 X 58 X 1.20 BMT: **EX_C150_58_1.20G** (2.83kg/m)

PURLIN - EX_C150 X 58 X 1.50 BMT: **EX_C150_58_1.50G** (3.52kg/m)

PURLIN - EX_C150 X 58 X 1.90 BMT: **EX_C150_58_1.90G** (4.45kg/m)

PURLIN - EX_C150 X 58 X 2.40 BMT: **EX_C150_58_2.40G** (5.60kg/m)

Standard Pack: 50 Lengths



C200 Purlin

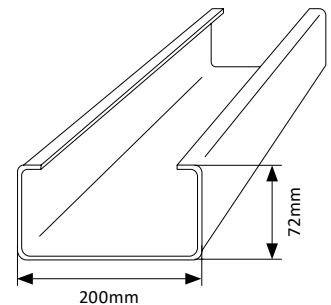
PURLIN - EX_C200 X 72 X 1.20 BMT: **EX_C200_72_1.20G** (3.59kg/m)

PURLIN - EX_C200 X 72 X 1.50 BMT: **EX_C200_72_1.50G** (4.47kg/m)

PURLIN - EX_C200 X 72 X 1.90 BMT: **EX_C200_72_1.90G** (5.65kg/m)

PURLIN - EX_C200 X 72 X 2.40 BMT: **EX_C200_72_2.40G** (7.12kg/m)

Standard Pack: 50 Lengths



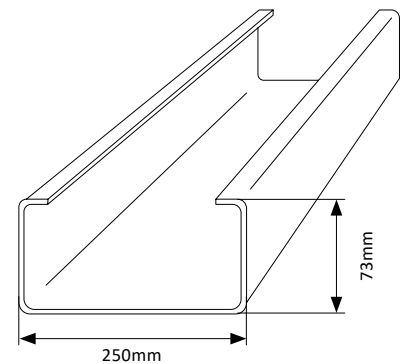
C250 Purlin

PURLIN - EX_C250 X 73 X 1.50 BMT: **EX_C250_73_1.50G** (5.07kg/m)

PURLIN - EX_C250 X 73 X 1.90 BMT: **EX_C250_73_1.90G** (6.41kg/m)

PURLIN - EX_C250 X 73 X 2.40 BMT: **EX_C250_73_2.40G** (8.07kg/m)

Standard Pack: 40 Lengths



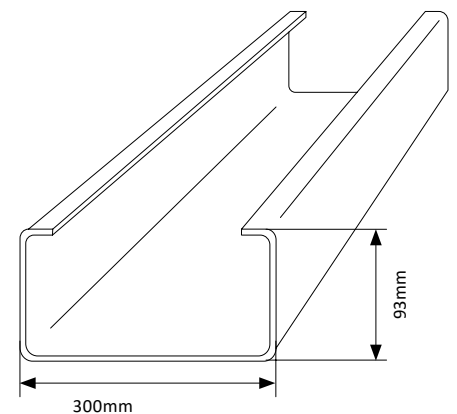
C300 Purlin

PURLIN - EX_C300 X 93 X 1.90 BMT: **EX_C300_93_1.90G** (7.91kg/m)

PURLIN - EX_C300 X 93 X 2.40 BMT: **EX_C300_93_2.40G** (9.97kg/m)

PURLIN - EX_C300 X 93 X 3.00 BMT: **EX_C300_93_3.00G** (12.51kg/m)

Standard Pack: 20 Lengths



Z – Section Extreme Purlin

Z150 Purlin

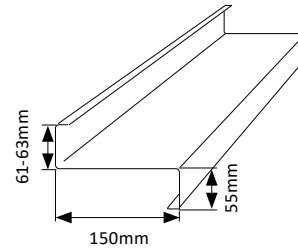
PURLIN - EX_Z150 X 58 X 1.20 BMT: **EX_Z150_58_1.20G** (2.83kg/m)

PURLIN - EX_Z150 X 58 X 1.50 BMT: **EX_Z150_58_1.50G** (3.52kg/m)

PURLIN - EX_Z150 X 58 X 1.90 BMT: **EX_Z150_58_1.90G** (4.45kg/m)

PURLIN - EX_Z150 X 58 X 2.40 BMT: **EX_Z150_58_2.40G** (5.60kg/m)

Standard Pack: 20 Lengths



Z200 Purlin

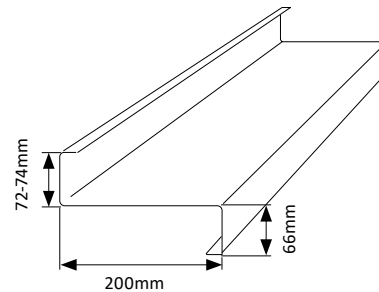
PURLIN - EX_Z200 X 72 X 1.20 BMT: **EX_Z200_72_1.20G** (3.59kg/m)

PURLIN - EX_Z200 X 72 X 1.50 BMT: **EX_Z200_72_1.50G** (4.47kg/m)

PURLIN - EX_Z200 X 72 X 1.90 BMT: **EX_Z200_72_1.90G** (5.65kg/m)

PURLIN - EX_Z200 X 72 X 2.40 BMT: **EX_Z200_72_2.40G** (7.12kg/m)

Standard Pack: 20 Lengths



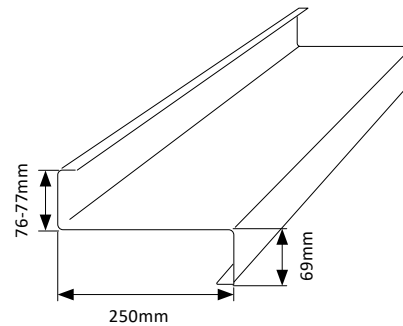
Z250 Purlin

PURLIN - EX_Z250 X 73 X 1.50 BMT: **EX_Z250_73_1.50G** (5.07kg/m)

PURLIN - EX_Z250 X 73 X 1.90 BMT: **EX_Z250_73_1.90G** (6.41kg/m)

PURLIN - EX_Z250 X 73 X 2.40 BMT: **EX_Z250_73_2.40G** (8.07kg/m)

Standard Pack: 20 Lengths



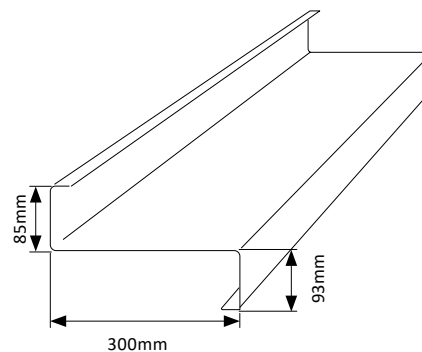
Z300 Purlin

PURLIN - EX_Z300 X 93 X 1.90 BMT: **EX_Z300_93_1.90G** (7.91kg/m)

PURLIN - EX_Z300 X 93 X 2.40 BMT: **EX_Z300_93_2.40G** (9.97kg/m)

PURLIN - EX_Z300 X 93 X 3.00 BMT: **EX_Z300_93_3.00G** (12.51kg/m)

Standard Pack: 20 Lengths



Brackets

Angle Connector Bracket

ANGLE CONNECTOR - C100: **MF-AC100** (0.19kg/ea.)

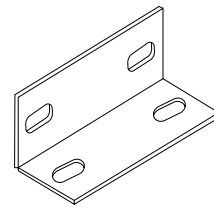
ANGLE CONNECTOR - C150: **MF-AC150** (0.30kg/ea.)

ANGLE CONNECTOR - C200: **MF-AC200** (0.39kg/ea.)

ANGLE CONNECTOR - C250: **MF-AC250** (0.56kg/ea.)

ANGLE CONNECTOR - C300: **MF-AC300** (0.69kg/ea.)

Standard Pack: 50 Brackets



Angle Connector Bracket

General Purpose Bracket

GENERAL PURPOSE BRACKET C100: **GPB100** (0.23kg/ea.)

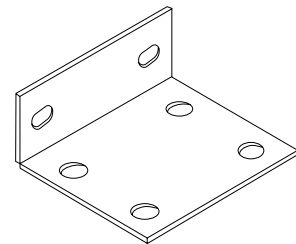
GENERAL PURPOSE BRACKET C150: **GPB150** (0.41kg/ea.)

GENERAL PURPOSE BRACKET C200: **GPB200** (0.61kg/ea.)

GENERAL PURPOSE BRACKET C250: **GPB250** (0.80kg/ea.)

GENERAL PURPOSE BRACKET C300: **GPB300** (1.00kg/ea.)

Standard Pack: 50 Brackets



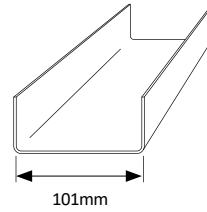
General Purpose Bracket



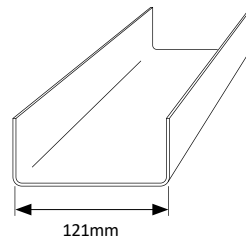
Channels



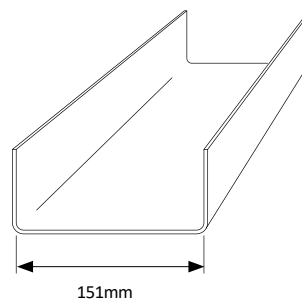
101 ID Channel
CHANNEL - 101 ID X 63 X 1.2 BMT GAL: CH10112 (2.06kg/m)
CHANNEL - 101 ID X 63 X 1.5 BMT GAL: CH10115 (2.57kg/m)
CHANNEL - 101 ID X 63 X 1.9 BMT GAL: CH10119 (3.24kg/m)
Standard Pack: 50 Lengths



121 ID Channel
CHANNEL - 121 ID X 53 X 1.2 BMT GAL: CH12112 (2.06kg/m)
CHANNEL - 121 ID X 53 X 1.5 BMT GAL: CH12115 (2.57kg/m)
CHANNEL - 121 ID X 53 X 1.9 BMT GAL: CH12119 (3.24kg/m)
Standard Pack: 50 Lengths



151 ID Channel
CHANNEL - 151 ID X 78 X 1.2 BMT GAL: CH15112 (2.83kg/m)
CHANNEL - 151 ID X 78 X 1.5 BMT GAL: CH15115 (3.52kg/m)
CHANNEL - 151 ID X 78 X 1.9 BMT GAL: CH15119 (4.45kg/m)
Standard Pack: 50 Lengths



Channels

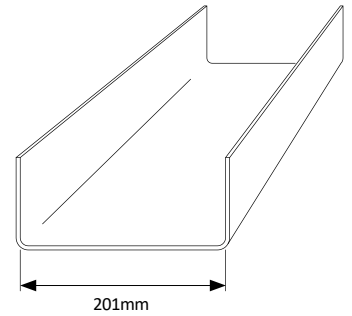
201 ID Channel

CHANNEL - 201 ID X 93 X 1.5 BMT GAL: **CH20115** (4.47kg/m)

CHANNEL - 201 ID X 93 X 1.9 BMT GAL: **CH20119** (5.65kg/m)

CHANNEL - 201 ID X 93 X 2.4 BMT GAL: **CH20124** (7.12kg/m)

Standard Pack: 50 Lengths

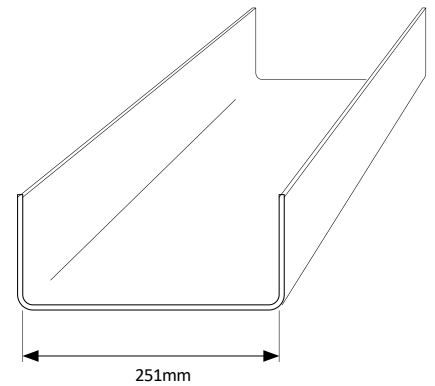


251 ID Channel

CHANNEL - 251 ID X 68 X 1.9 BMT GAL: **CH25119** (5.65kg/m)

CHANNEL - 251 ID X 68 X 2.4 BMT GAL: **CH25124** (7.12kg/m)

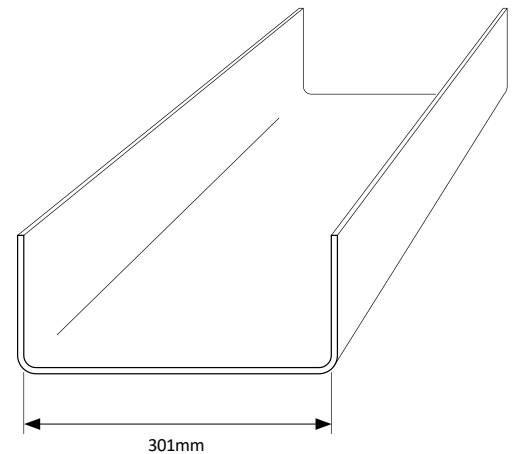
Standard Pack: 40 Lengths



301 ID Channel

CHANNEL - 301 ID X 68 X 2.4 BMT GAL: **CH30124** (8.07kg/m)

Standard Pack: 40 Lengths



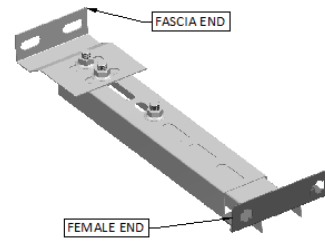
Hook Fast Purlin Bridging

Millform *HookFast*® Bridging System

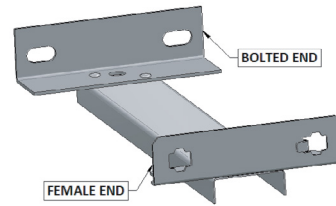
(available to suit C/Z100, 150, 200 & 250)



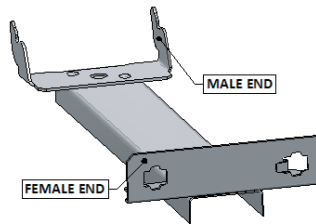
Adj Starter – Adjustable Female / Fascia Cleat



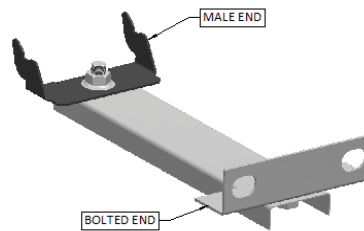
Starter – Bolted / Female



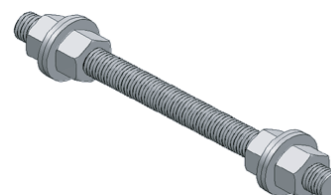
Intermediate – Male / Female



Finisher – Male / Bolted



12 mm Sag Rod Ridge Tie (add 100 mm to centres)





Steel Framing

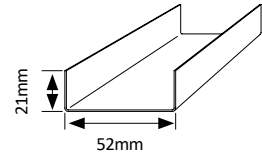
52mm Stud Range

PLATE - 54 X 20 X 1.15 BMT - ALUZINC: **PL54201.15Z** (0.90kg/m)

STUD - 52 X 21 X 1.15 BMT - ALUZINC: **S52211.15Z** (0.90kg/m)

NOGGIN - 50 X 22 X 1.15 BMT - ALUZINC: **N50221.15Z** (0.90kg/m)

Standard Pack: 100 Lengths



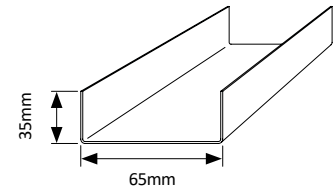
65mm Stud Range

PLATE - 68 X 33 X 1.15 BMT - ALUZINC: **PL68331.15Z** (1.21kg/m)

STUD - 65 X 35 X 1.15 BMT - ALUZINC: **S65351.15Z** (1.21kg/m)

NOGGIN - 62 X 37 X 1.15 BMT - ALUZINC: **N62371.15Z** (1.21kg/m)

Standard Pack: 100 Lengths



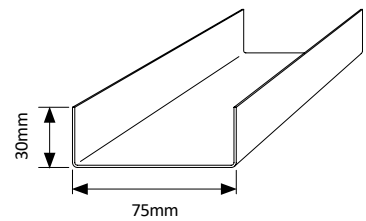
75mm Stud Range

PLATE - 78 X 28 X 1.15 BMT - ALUZINC: **PL78281.15Z** (1.21kg/m)

STUD - 75 X 30 X 1.15 BMT - ALUZINC: **S75301.15Z** (1.21kg/m)

NOGGIN - 72 X 32 X 1.15 BMT - ALUZINC: **N72321.15Z** (1.21kg/m)

Standard Pack: 100 Lengths



Steel Framing



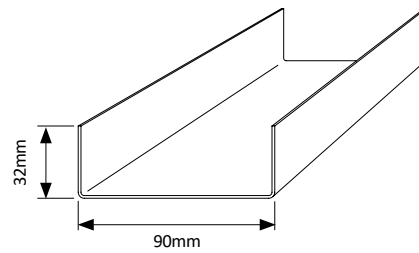
90mm Stud Range

PLATE - 93 X 30 X 1.15 BMT - ALUZINC: **PL93301.15Z** (1.38kg/m)

STUD - 90 X 31 X 1.15 BMT - ALUZINC: **S90311.15Z** (1.38kg/m)

NOGGIN - 87 X 32 X 1.15 BMT - ALUZINC: **N87321.15Z** (1.38kg/m)

Standard Pack: 100 Lengths



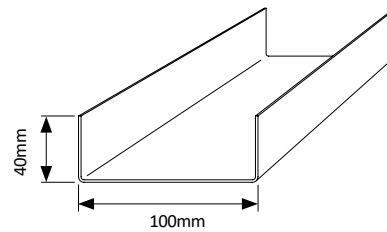
100mm Stud Range

PLATE - 103 X 38 X 1.15 BMT - ALUZINC: **PL103381.15Z** (1.63kg/m)

STUD - 100 X 40 X 1.15 BMT - ALUZINC: **S100401.15Z** (1.63kg/m)

NOGGIN - 97 X 42 X 1.15 BMT - ALUZINC: **N97421.15Z** (1.63kg/m)

Standard Pack: 100 Lengths



Where strength matters





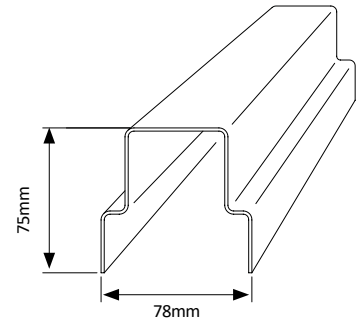
Steel Framing

78 Stiffened Top Plate

STIFFENED TOP PLATE 78 MM X 1.15 BMT ALUZINC: **STP781.15Z** (1.91kg/m)

STIFFENED TOP PLATE 78 MM X 1.50 BMT ALUZINC: **STP781.50Z** (2.57kg/m)

Standard Pack: 50 Lengths x 7.500M

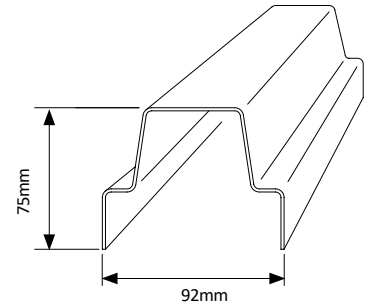


92 Stiffened Top Plate

STIFFENED TOP PLATE 92 MM X 1.15 BMT ALUZINC: **STP921.15Z** (2.14kg/m)

STIFFENED TOP PLATE 92 MM X 1.50 BMT ALUZINC: **STP921.50Z** (2.57kg/m)

Standard Pack: 50 Lengths x 7.500M

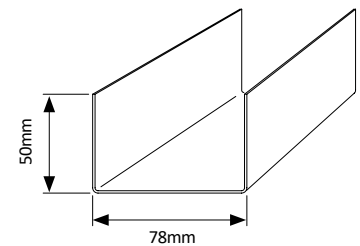


78 High Wall Plate

H.W.PLATE - 78 X 50 X 1.15 BMT - ALUZINC: **HWPL78501.15Z** (1.63kg/m)

H.W.PLATE - 78 X 50 X 1.50 BMT - GAL: **HWPL78501.50G** (2.15kg/m)

Standard Pack: 50 Lengths

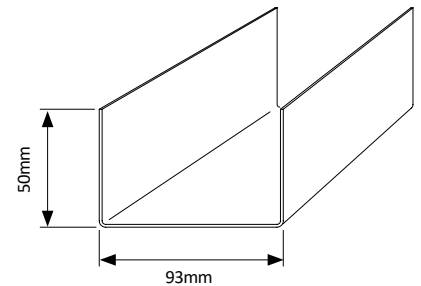


93 High Wall Plate

H.W.PLATE - 93 X 50 X 1.15 BMT - ALUZINC: **HWPL93501.15Z** (1.63kg/m)

H.W.PLATE - 93 X 50 X 1.50 BMT - Gal: **HWPL93501.50G** (2.17kg/m)

Standard Pack: 50 Lengths x 7.500M



Cyclonic Steel Framing

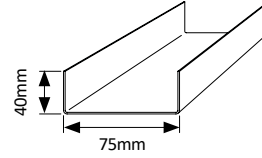
75mm Cyclonic Stud Range

PLATE - 78 X 38 X 1.50 BMT - ALUZINC: **PL78381.50Z** (1.81kg/m)

STUD - 75 X 40 X 1.50 BMT - ALUZINC: **S75401.50Z** (1.81kg/m)

NOGGIN - 72 X 42 X 1.50 BMT - ALUZINC: **N72421.50Z** (1.81kg/m)

Standard Pack: 100 Lengths



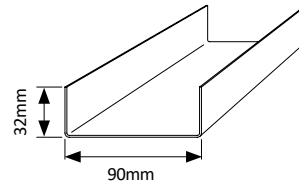
90mm Cyclonic Stud Range

PLATE - 93 X 30 X 1.50 BMT - ALUZINC: **PL93301.50Z** (1.81kg/m)

STUD - 90 X 31 X 1.50 BMT - ALUZINC: **S90311.50Z** (1.81kg/m)

NOGGIN - 87 X 32 X 1.50 BMT - ALUZINC: **N87321.50Z** (1.82kg/m)

Standard Pack: 100 Lengths



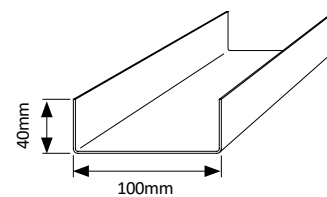
100mm Cyclonic Stud Range

PLATE - 103 X 38 X 1.50 BMT - ALUZINC: **PL103381.50Z** (2.15kg/m)

STUD - 100 X 40 X 1.50 BMT - ALUZINC: **S100401.50Z** (2.15kg/m)

NOGGIN - 97 X 42 X 1.50 BMT - ALUZINC: **N97421.50Z** (2.15kg/m)

Standard Pack: 100 Lengths

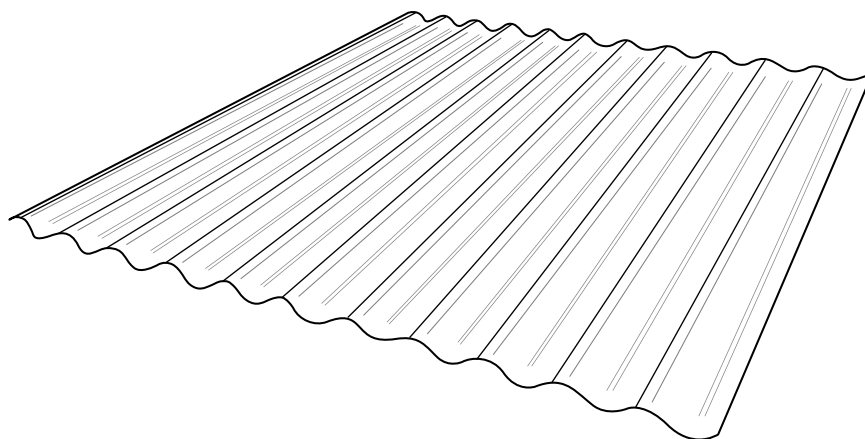


Where strength matters



CorroForm - Corrugated Sheet Metal

MATERIAL PROPERTIES	FINISH	0.35 BMT	0.42 BMT	0.48 BMT
Total Coated Thickness (TCT) mm	Zinc	0.40	0.47	0.53
	Colour	0.43	0.50	0.56
Mass (kg/linear metre)	Zinc	2.74	3.26	3.70
	Colour	2.79	3.32	3.76
Mass (kg/square metre)	Zinc	3.60	4.28	4.86
	Colour	3.67	4.35	4.93
Yield (square metre/tonne)	Zinc	277.9	233.8	205.9
	Colour	272.3	229.8	202.8
Tensile Strength (MPa)	Zinc & Colour	550	550	550
Width Coverage (mm)	Zinc & Colour	762	762	762
Sheet Tolerances (mm)	Width & Length	±5 ±2	±5 ±2	±5 ±2
Minimum Roof Pitch	Zinc & Colour	N/A	5°	5°

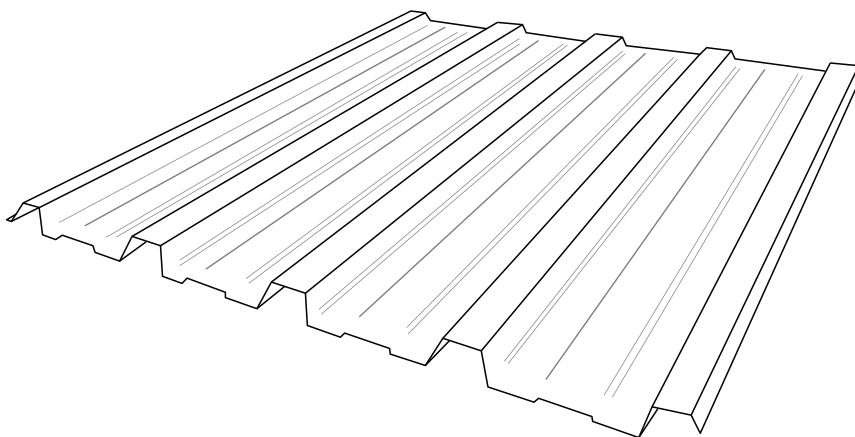


Where strength matters



RibForm - Corrugated Sheet Metal

MATERIAL PROPERTIES	FINISH	0.35 BMT	0.42 BMT	0.48 BMT
Total Coated Thickness (TCT) mm	Zinc	0.40	0.47	0.53
	Colour	0.43	0.50	0.56
Mass (kg/linear metre)	Zinc	2.74	3.26	3.70
	Colour	2.79	3.32	3.76
Mass (kg/square metre)	Zinc	3.60	4.28	4.86
	Colour	3.67	4.35	4.93
Yield (square metre/tonne)	Zinc	277.9	233.8	205.9
	Colour	272.3	229.8	202.8
Tensile Strength (MPa)	Zinc & Colour	550	550	550
Width Coverage (mm)	Zinc & Colour	762	762	762
Sheet Tolerances (mm)	Width & Length	±5 ±2	±5 ±2	±5 ±2
Minimum Roof Pitch	Zinc & Colour	N/A	2°	2°



Where strength matters



FIND OUT MORE ABOUT OUR RANGE OF
STEEL BUILDING PRODUCTS

M **MILLFORM**
AUSTRALIA



TOPHAT & BATTENS



PURLIN & CHANNEL



HOOKFAST PURLIN BRIDGING SYSTEM



ROOFING & WALLING



ROOFING ACCESSORIES



JUNCTION STUD & FACADE SYSTEM



CORROSION RESISTANT SYSTEM

MILLFORM OFFICE & MANUFACTURING FACILITY

Sydney

22 Shale Place, Eastern Creek, NSW, 2766
Ph. (02) 9832 6900

Albury

101 Ceres Drive, Albury, NSW 2640
Ph. (02) 6025 4377

REGIONAL SALES TEAMS

QLD, NSW, ACT, VIC, TAS, WA, NT

**FOR SALES AND INFORMATION ENQUIRIES, CONTACT OUR
KNOWLEDGEABLE TEAM**

Call: **1300 645 376** or email: enquiries@millform.com.au

www.millform.com.au

Version 2.3

All reasonable care has been taken to present accurate information at the time of publication. All recommendations related to the use of Millform products are made without a guarantee. Many factors are beyond our control, and all information presented is meant as a guide only. It is the customer's responsibility to ensure that all products are suitable for their intended purpose. Millform reserves the right to change product specifications and recommendations at any time without prior notice. The Millform logo is registered and protected under Australian law.



BROCHURE