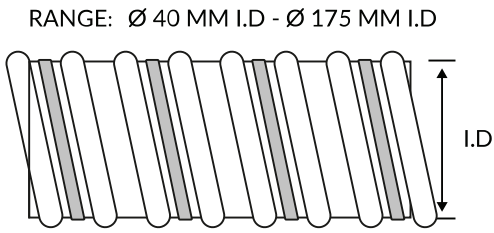


# Slab and Spiral Duct

## DUCTING FOR THE POST TENSION CONCRETE INDUSTRY

Quality Galvanised Steel Prevents Ducting Corrosion

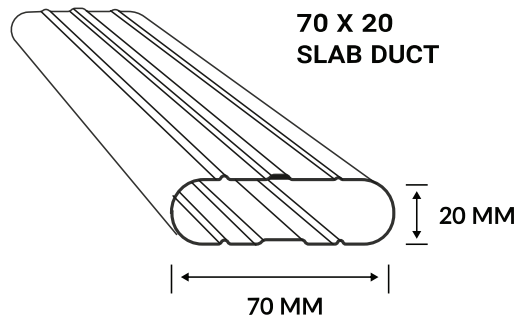
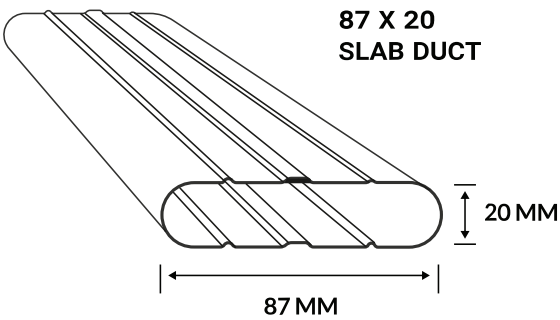
### SPIRAL DUCT



**SPIRAL DUCT**  
0.30 BMT



### SLAB DUCT



Where strength matters

