



MILLFORM
AUSTRALIA

Where strength matters



MF MillFrame™
STEEL FRAMING SYSTEM

MILLFORM STEEL FRAMING PRODUCT GUIDE

STEEL FRAMING PRODUCT GUIDE



TABLE OF CONTENT

- 1. General information
- 2. Product range & properties
 - Multiple Stud arrangement

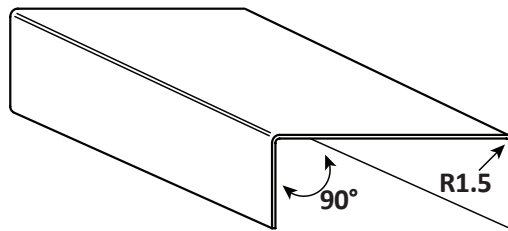


GENERAL INFORMATION



Millform offers **Millframe™** steel wall framing sections with G500 and Z275 Zinalume sections. These products may be used alone or in combination with other building materials. Steel framing solutions are ideal for countless applications, including residential homes, commercial buildings, remote facilities, and partitions and facades.

Millframe™ Steel wall framing has an unmatched accuracy, strength and weight portfolio, which expands design options and makes building more affordable. It offers impressive strength, durability, integrity, and precision.



Millform combines extensive engineering experience with detailed manufacturing expertise to provide the following benefits:

- Expansive design options
- Strength and durability
- Integrity and compatibility
- Resistant to fire and termites
- Requires no chemical treatments
- Lightweight for easy transport
- Compliant with AS 1397-1977 & AS/NZS 4600

Millframe™ steel framing is made for the harsh Australian climate and manufactured from the highest quality materials. Our products are designed, engineered, and tested to comply with all relevant Australian Standards.

75 x 35 x 1.15 STUD CENTRES (MM)								
STUD HEIGHT	NO. OF NOGGINS	N1	N2	N3	N4	C1	C2	C3
2450	0	600	430	280	180	190	130	90
	1	600	600	600	480	500	340	230
2750	0	410	300	190	130	130	90	60
	1	600	600	430	320	340	220	150
	2	600	600	600	490	510	340	230
3000	0	310	220	140	90	100	70	40
	1	600	560	350	240	250	170	110
	2	600	600	580	390	410	270	180
	3	600	600	600	450	470	320	210
3300	0	230	160	100	70	70	50	NS
	1	560	400	260	170	180	120	80
	2	600	600	440	300	310	210	140
	3	600	600	450	360	380	250	170
3300	0	170	120	80	50	50	NS	NS
	1	410	300	190	130	130	90	60
	2	600	530	340	230	240	160	110
	3	600	600	430	290	300	200	130

NOTES

1. Noggins to be evenly spaced.
2. Trusses located within 50mm of stud.
3. Truss reaction maximum of 15% of stud compression capacity (ϕN_c).
4. Table for external load bearing walls.

PRODUCT RANGE AND PROPERTIES

Steel Framing

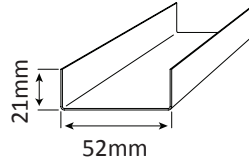
52mm Stud Range

PLATE - 54 X 20 X 1.15 BMT - ALUZINC: **PL54201.15Z** (0.90kg/m)

STUD - 52 X 21 X 1.15 BMT - ALUZINC: **S52211.15Z** (0.90kg/m)

NOGGIN - 50 X 22 X 1.15 BMT - ALUZINC: **N50221.15Z** (0.90kg/m)

Standard Pack: 100 Lengths



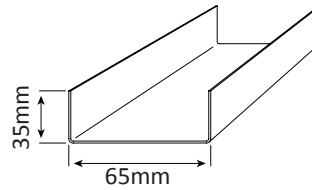
65mm Stud Range

PLATE - 68 X 33 X 1.15 BMT - ALUZINC: **PL68331.15Z** (1.21kg/m)

STUD - 65 X 35 X 1.15 BMT - ALUZINC: **S65351.15Z** (1.21kg/m)

NOGGIN - 62 X 37 X 1.15 BMT - ALUZINC: **N62371.15Z** (1.21kg/m)

Standard Pack: 100 Lengths



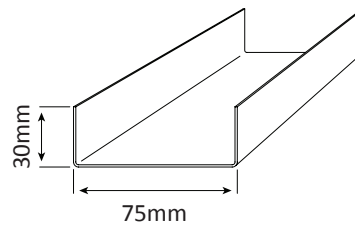
75mm Stud Range

PLATE - 78 X 28 X 1.15 BMT - ALUZINC: **PL78281.15Z** (1.21kg/m)

STUD - 75 X 30 X 1.15 BMT - ALUZINC: **S75301.15Z** (1.21kg/m)

NOGGIN - 72 X 32 X 1.15 BMT - ALUZINC: **N72321.15Z** (1.21kg/m)

Standard Pack: 100 Lengths



Where strength matters





Steel Framing

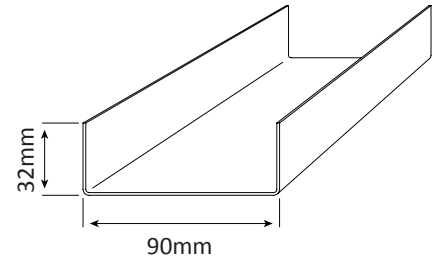
90mm Stud Range

PLATE - 93 X 30 X 1.15 BMT - ALUZINC: **PL93301.15Z** (1.38kg/m)

STUD - 90 X 31 X 1.15 BMT - ALUZINC: **S90311.15Z** (1.38kg/m)

NOGGIN - 87 X 32 X 1.15 BMT - ALUZINC: **N87321.15Z** (1.38kg/m)

Standard Pack: 100 Lengths



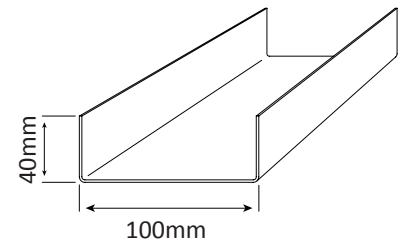
100mm Stud Range

PLATE - 103 X 38 X 1.15 BMT - ALUZINC: **PL103381.15Z** (1.63kg/m)

STUD - 100 X 40 X 1.15 BMT - ALUZINC: **S100401.15Z** (1.63kg/m)

NOGGIN - 97 X 42 X 1.15 BMT - ALUZINC: **N97421.15Z** (1.63kg/m)

Standard Pack: 100 Lengths



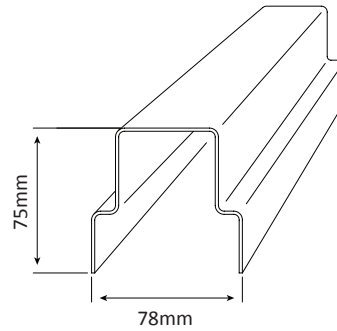
Steel Framing

78 Stiffened Top Plate

STIFFENED TOP PLATE 78 MM X 1.15 BMT ALUZINC: **STP781.15Z** (1.91kg/m)

STIFFENED TOP PLATE 78 MM X 1.50 BMT ALUZINC: **STP781.50Z** (2.57kg/m)

Standard Pack: 50 Lengths x 7.500M

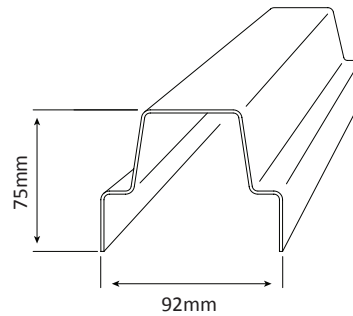


92 Stiffened Top Plate

STIFFENED TOP PLATE 92 MM X 1.15 BMT ALUZINC: **STP921.15Z** (2.14kg/m)

STIFFENED TOP PLATE 92 MM X 1.50 BMT ALUZINC: **STP921.50Z** (2.57kg/m)

Standard Pack: 50 Lengths x 7.500M

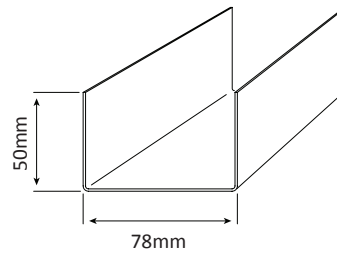


78 High Wall Plate

H.W.PLATE - 78 X 50 X 1.15 BMT - ALUZINC: **HWPL78501.15Z** (1.63kg/m)

H.W.PLATE - 78 X 50 X 1.50 BMT - GAL: **HWPL78501.50G** (2.15kg/m)

Standard Pack: 50 Lengths

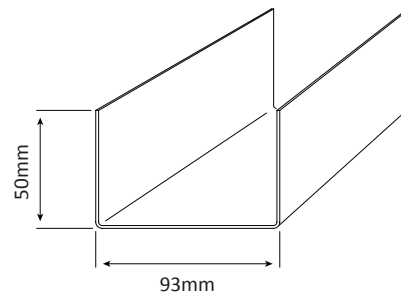


93 High Wall Plate

H.W.PLATE - 93 X 50 X 1.15 BMT - ALUZINC: **HWPL93501.15Z** (1.63kg/m)

H.W.PLATE - 93 X 50 X 1.50 BMT - Gal: **HWPL93501.50G** (2.17kg/m)

Standard Pack: 50 Lengths x 7.500M



Where strength matters





Cyclonic Steel Framing

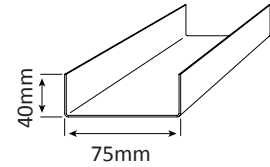
75mm Cyclonic Stud Range

PLATE - 78 X 38 X 1.50 BMT - ALUZINC: **PL78381.50Z** (1.81kg/m)

STUD - 75 X 40 X 1.50 BMT - ALUZINC: **S75401.50Z** (1.81kg/m)

NOGGIN - 72 X 42 X 1.50 BMT - ALUZINC: **N72421.50Z** (1.81kg/m)

Standard Pack: 100 Lengths



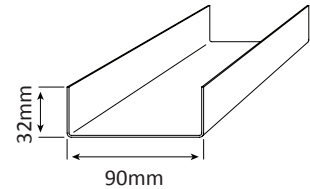
90mm Cyclonic Stud Range

PLATE - 93 X 30 X 1.50 BMT - ALUZINC: **PL93301.50Z** (1.81kg/m)

STUD - 90 X 31 X 1.50 BMT - ALUZINC: **S90311.50Z** (1.81kg/m)

NOGGIN - 87 X 32 X 1.50 BMT - ALUZINC: **N87321.50Z** (1.82kg/m)

Standard Pack: 100 Lengths



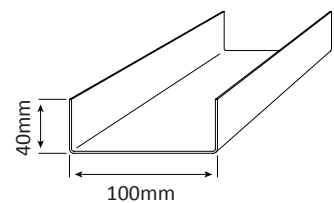
100mm Cyclonic Stud Range

PLATE - 103 X 38 X 1.50 BMT - ALUZINC: **PL103381.50Z** (2.15kg/m)

STUD - 100 X 40 X 1.50 BMT - ALUZINC: **S100401.50Z** (2.15kg/m)

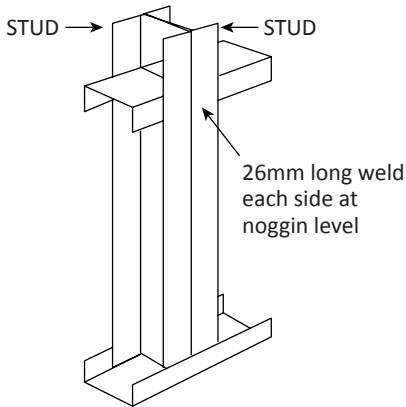
NOGGIN - 97 X 42 X 1.50 BMT - ALUZINC: **N97421.50Z** (2.15kg/m)

Standard Pack: 100 Lengths

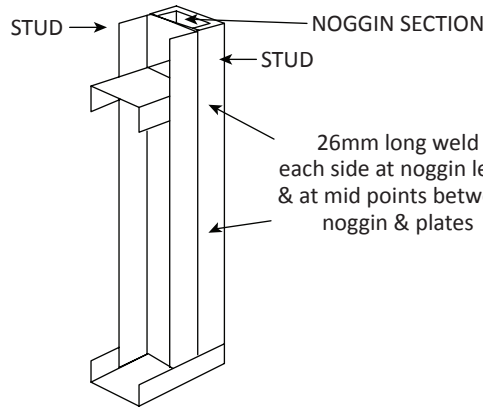


MULTIPLE STUD ARRANGEMENTS

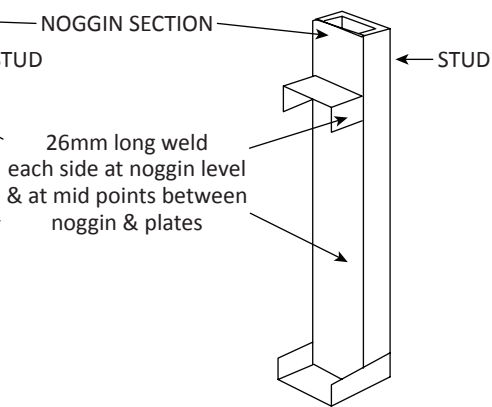
2 studs back to back noggin each side



3 studs combination adjacent to opening

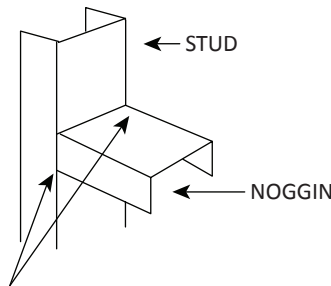


2 studs boxed adjacent to opening

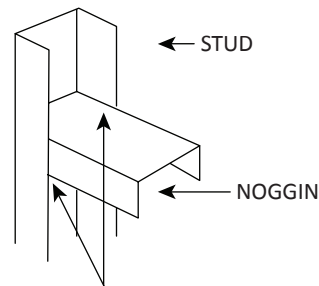


Noggin fixing

WELDED FRAMES

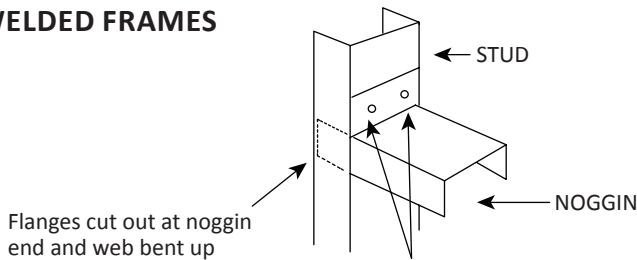


2 x fillet welds 12mm min. length. Maybe inside or outside noggin channel

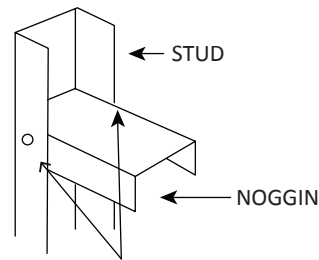


12mm min. length welds in two places

NON-WELDED FRAMES



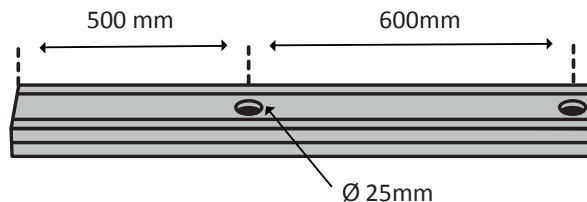
2 x 4.8 dia. steel blind rivets or No. 10 self-tapping screws



2 x 4.8mm dia. steel blind rivets or No. 10 wafer head self-tapping screws. One in each stud flange.

Steel Framing Punching Detail

Punching is on centreline of the section. The hole is 25mm punched and flared, first hole is 500 mm from leading edge of each length and standard centres between holes are 600 mm.

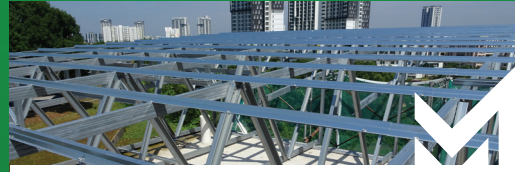


Where strength matters



FIND OUT MORE ABOUT OUR RANGE
OF STEEL BUILDING PRODUCTS

M MILLFORM
AUSTRALIA



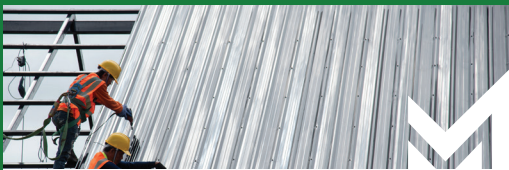
TOPHAT & BATTENS



PURLIN & CHANNEL



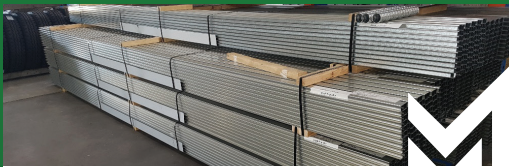
HOOKFAST PURLIN BRIDGING SYSTEM



ROOFING & WALLING



ROOFING ACCESSORIES



JUNCTION STUD & FACADE SYSTEM



SLAB & SPIRAL DUCT

MILLFORM OFFICE & MANUFACTURING FACILITY

Sydney

22 Shale Place, Eastern Creek, NSW, 2766
Ph. (02) 9832 6900

Albury

101 Ceres Drive, Albury, NSW, 2640
Ph. (02) 6025 4377

REGIONAL SALES TEAMS

QLD, NSW, ACT, VIC, TAS, WA, NT

FOR SALES AND INFORMATION ENQUIRIES, CONTACT OUR
KNOWLEDGEABLE TEAM

Call: **1300 645 376** or email: sales@millform.com.au

www.millform.com.au

All reasonable care has been taken to present accurate information at the time of publication. All recommendations related to the use of Millform products are made without a guarantee. Many factors are beyond our control, and all information presented is meant as a guide only. It is the customer's responsibility to ensure that all products are suitable for their intended purpose. Millform reserves the right to change product specifications and recommendations at any time without prior notice. The Millform logo is registered and protected under Australian law.

