

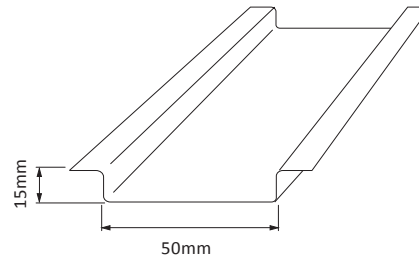
# Junction Stud 0.75



## 50 x 15 Junction Stud

JUNCTION STUD - 50 X 15 X 0.75 BMT: **JS50150.75** (0.59kg/m)

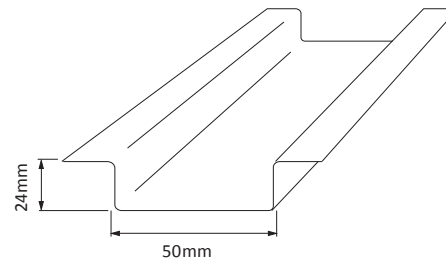
**Standard Pack:** 100 Lengths x 6M



## 50 x 24 Junction Stud

JUNCTION STUD - 50 X 24 X 0.75 BMT: **JS50240.75** (0.80kg/m)

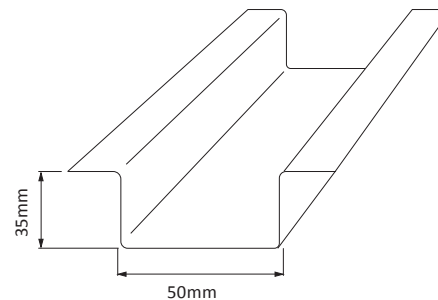
**Standard Pack:** 100 Lengths x 6M



## 50 x 35 Junction Stud

JUNCTION STUD - 50 X 35 X 0.75 BMT: **JS50350.75** (0.91kg/m)

**Standard Pack:** 50 Lengths x 6M



Where strength matters



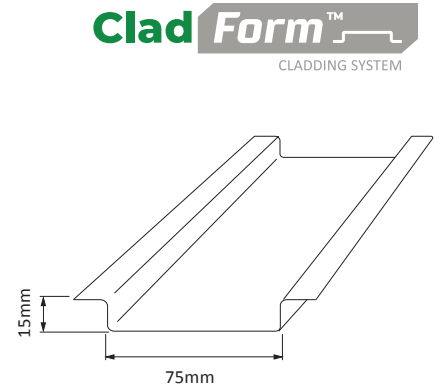


## Junction Stud 0.75

### 75 x 15 Junction Stud

JUNCTION STUD - 75 X 15 X 0.75 BMT: **JS75150.75** (0.80kg/m)

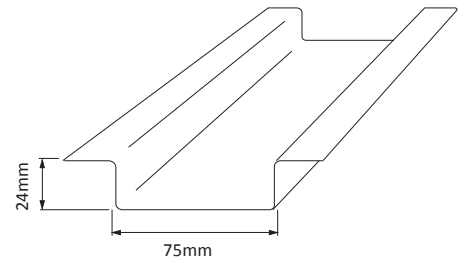
**Standard Pack:** 100 Lengths x 6M



### 75 x 24 Junction Stud

JUNCTION STUD - 75 X 24 X 0.75 BMT: **JS75240.75** (0.91kg/m)

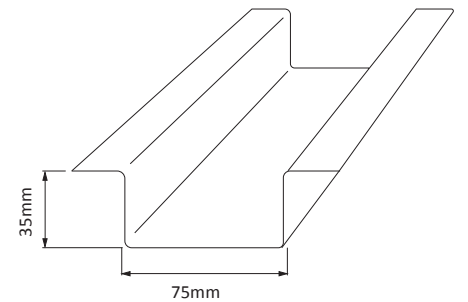
**Standard Pack:** 100 Lengths x 6M



### 75 x 35 Junction Stud

JUNCTION STUD - 75 X 35 X 0.75 BMT: **JS75350.75** (1.09kg/m)

**Standard Pack:** 50 Lengths x 6M



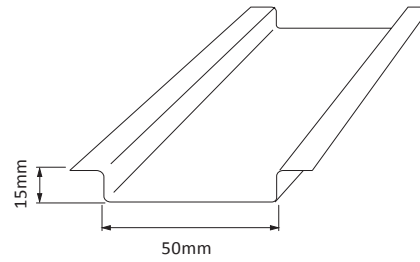
# Junction Stud 1.10



## 50 x 15 Junction Stud

JUNCTION STUD - 50 X 15 X 1.10 BMT: **JS5015** (0.89kg/m)

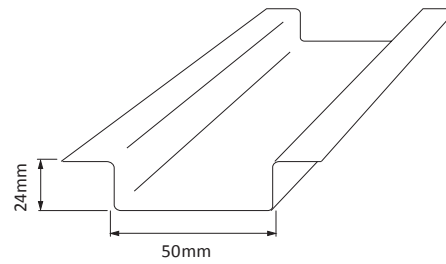
**Standard Pack:** 100 Lengths x 6M



## 50 x 24 Junction Stud

JUNCTION STUD - 50 X 24 X 1.10 BMT: **JS5024** (1.13kg/m)

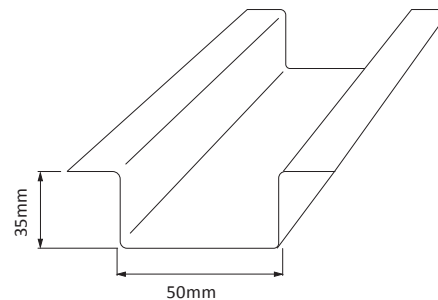
**Standard Pack:** 100 Lengths x 6M



## 50 x 35 Junction Stud

JUNCTION STUD - 50 X 35 X 1.10 BMT: **JS5035** (1.33kg/m)

**Standard Pack:** 50 Lengths x 6M



Where strength matters





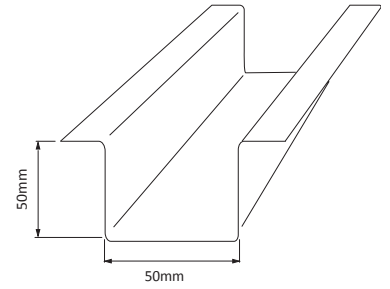
## Junction Stud 1.10

### 50 x 50 Junction Stud

JUNCTION STUD - 50 X 50 X 1.10 BMT: **JS5050** (1.56kg/m)

**Standard Pack:** 50 Lengths x 6M

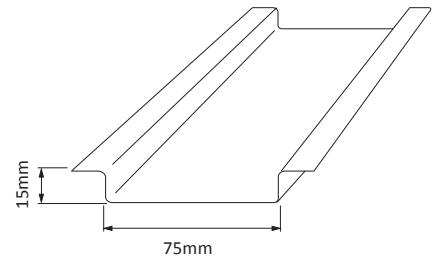
**Clad Form™**  
CLADDING SYSTEM



### 75 x 15 Junction Stud

JUNCTION STUD - 75 X 15 X 1.10 BMT: **JS7515** (1.13kg/m)

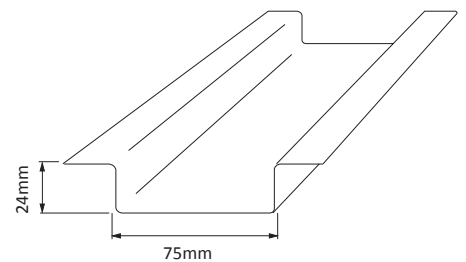
**Standard Pack:** 100 Lengths x 6M



### 75 x 24 Junction Stud

JUNCTION STUD - 75 X 24 X 1.10 BMT: **JS7524** (1.33kg/m)

**Standard Pack:** 100 Lengths x 6M

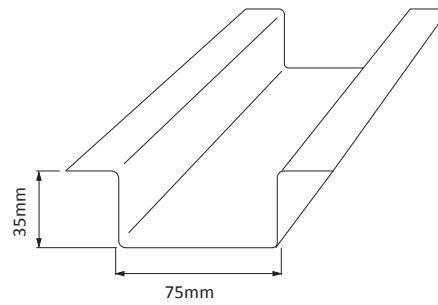


# Junction Stud 1.10

## 75 x 35 Junction Stud

JUNCTION STUD - 75 X 35 X 1.10 BMT: **JS7535** (1.56kg/m)

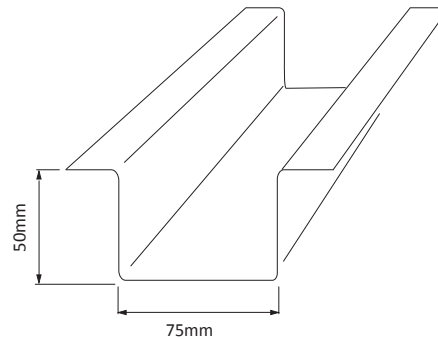
**Standard Pack:** 50 Lengths x 6M



## 75 x 50 Junction Stud

JUNCTION STUD - 75 X 50 X 1.10 BMT: **JS7550** (1.91kg/m)

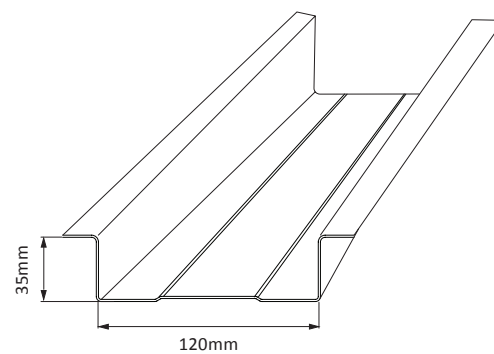
**Standard Pack:** 50 Lengths x 6M



## 120 x 35 Junction Stud

JUNCTION STUD - 120 X 35 X 1.10 BMT: **JS12035** (1.97kg/m)

**Standard Pack:** 50 Lengths x 6M



Where strength matters

