

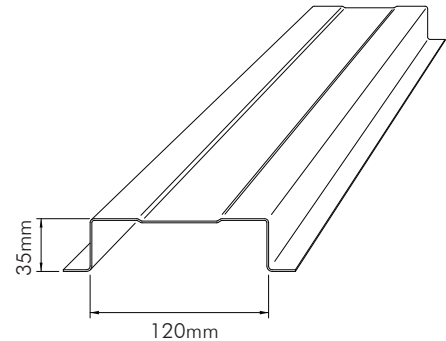
Facade System



120 x 35 Facade Top Hat

120 x 35 x 1.10 Bmt Facade Top Hat = 2.00 kg's/metre

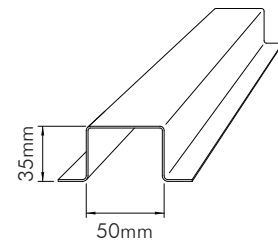
Standard Pack: 50 Lengths x 6.000M, 7.200M



50 x 35 Intermediate Top Hat

50 x 35 x 1.10 Bmt Intermediate Top Hat = 1.35 kg's/metre

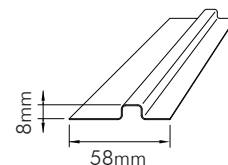
Standard Pack: 50 Lengths x 6.000M, 7.200M



8.0mm Back Flashing

8.0mm x 0.48 Bmt Back Flashing = 0.28 kg's/metre

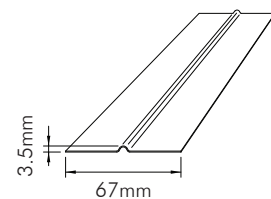
Standard Pack: 500 Lengths x 3.000M



3.5mm Back Flashing

3.5mm x 0.48 Bmt Back Flashing = 0.28 kg's/metre

Standard Pack: 500 Lengths x 3.000M



Albury

Ph. (02) 6025 4377 | Fax. (02) 6025 4833

Sydney

Ph. (02) 9832 6900 | Fax. (02) 9832 6999

Mt Gambier

Ph. (08) 8723 4944 | Fax. (08) 8723 4966