

# C-Section Purlin



## C75 Purlin

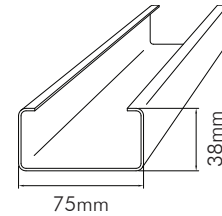
C75 Purlin x 0.75 Bmt = 1.04 kg's/metre

C75 Purlin x 0.95 Bmt = 1.30 kg's/metre

C75 Purlin x 1.20 Bmt = 1.56 kg's/metre

C75 Purlin x 1.50 Bmt = 2.09 kg's/metre

**Standard Pack:** 50 Lengths x 6.100M, 7.500M



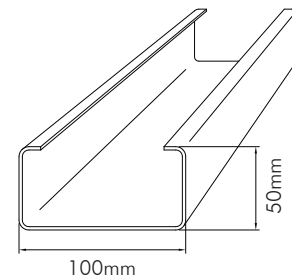
## C100 Purlin

C100 Purlin x 1.20 Bmt = 2.08 kg's/metre

C100 Purlin x 1.50 Bmt = 2.59 kg's/metre

C100 Purlin x 1.90 Bmt = 3.27 kg's/metre

**Standard Pack:** 50 Lengths x 6.100M, 7.620M, 9.140M



## C150 Purlin

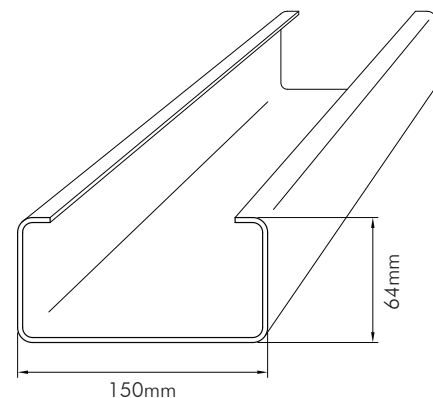
C150 Purlin x 1.20 Bmt = 2.86 kg's/metre

C150 Purlin x 1.50 Bmt = 3.55 kg's/metre

C150 Purlin x 1.90 Bmt = 4.48 kg's/metre

C150 Purlin x 2.40 Bmt = 5.64 kg's/metre

**Standard Pack:** 50 Lengths x 6.100M, 7.620M, 9.140M



Albury

Ph. (02) 6025 4377 | Fax. (02) 6025 4833

Sydney

Ph. (02) 9832 6900 | Fax. (02) 9832 6999

Mt Gambier

Ph. (08) 8723 4944 | Fax. (08) 8723 4966

# C-Section Purlin



## C200 Purlin

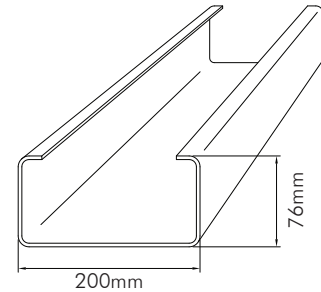
C200 Purlin x 1.20 Bmt = 3.64 kg's/metre

C200 Purlin x 1.50 Bmt = 4.52 kg's/metre

C200 Purlin x 1.90 Bmt = 5.70 kg's/metre

C200 Purlin x 2.40 Bmt = 7.17 kg's/metre

**Standard Pack:** 50 Lengths x 6.100M, 7.620M, 9.140M



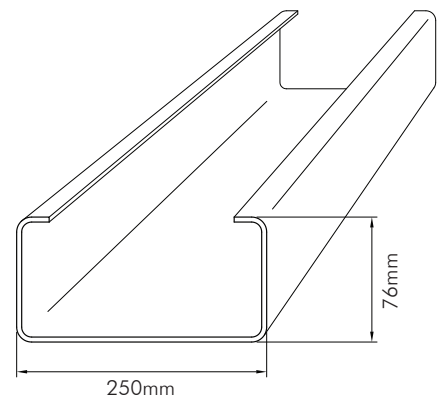
## C250 Purlin

C250 Purlin x 1.50 Bmt = 5.12 kg's/metre

C250 Purlin x 1.90 Bmt = 6.46 kg's/metre

C250 Purlin x 2.40 Bmt = 8.12 kg's/metre

**Standard Pack:** 20 Lengths



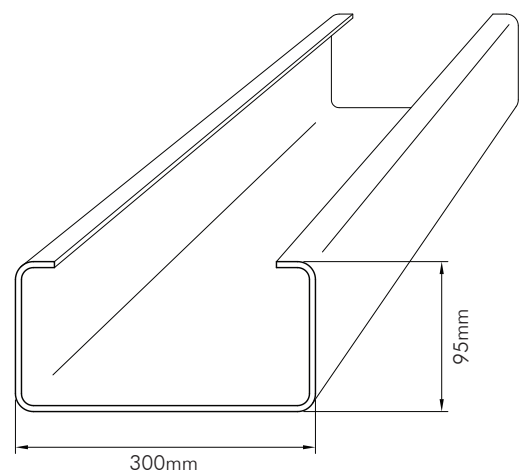
## C300 Purlin

C300 Purlin x 1.90 Bmt = 7.97 kg's/metre

C300 Purlin x 2.40 Bmt = 10.04 kg's/metre

C300 Purlin x 3.00 Bmt = 12.51 kg's/metre

**Standard Pack:** 20 Lengths



Albury

Ph. (02) 6025 4377 | Fax. (02) 6025 4833

Sydney

Ph. (02) 9832 6900 | Fax. (02) 9832 6999

Mt Gambier

Ph. (08) 8723 4944 | Fax. (08) 8723 4966